

PLEASE CHECK WWW.MOLEX.COM FOR LATEST PART INFORMATION

Part Number: [0545612601](#)
Status: **Active**
Overview: [qf50](#)
Description: 2.54mm (.100") Pitch QF-50™ Flat Cable Strain Relief, 26 Circuits

Documents:

[Drawing \(PDF\)](#) [Product Specification PS-54559-005 \(PDF\)](#)
[Product Specification PS-54559-004 \(PDF\)](#) [RoHS Certificate of Compliance \(PDF\)](#)

General

Product Family	Accessories
Series	54561
Application Tooling Part Link	572525100
Component Type	Strain Relief
Overview	qf50
Product Name	QF-50™

Physical

Circuits (Loaded)	26
Gender	N/A
Packaging Type	Tray
Temperature Range - Operating	-40°C to +85°C

Material Info

Reference - Drawing Numbers

Product Specification	PS-54559-004, PS-54559-005, RPS-54559-008, RPS-54559-010, RPS-54559-012, RPS-54559-014, RPS-54559-015, RPS-54559-016, RPS-54559-017
Sales Drawing	SD-54561-002

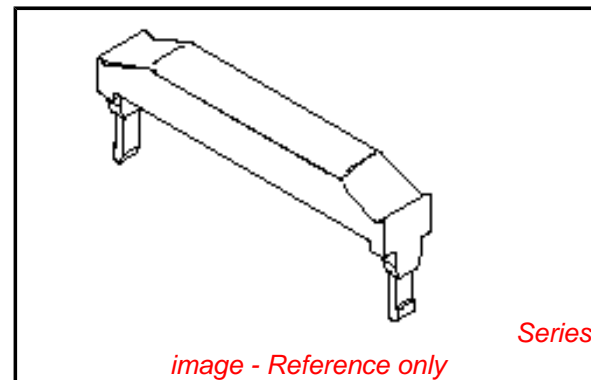


image - Reference only

EU RoHS

**ELV and RoHS
Compliant**
**REACH SVHC
Contains SVHC: No**
**Halogen-Free
Status
Not Reviewed**

China RoHS



**Need more information on product
environmental compliance?**

Email productcompliance@molex.com
 For a multiple part number RoHS Certificate of
 Compliance, [click here](#)

Please visit the [Contact Us](#) section for any
 non-product compliance questions.

Search Parts in this Series

[54561Series](#)

Use With

[54560](#) Upper Housing, [54559](#) Receptacle
 Housing

Application Tooling | FAQ

*Tooling specifications and manuals are
 found by selecting the products below.
 Crimp Height Specifications are then
 contained in the Application Tooling
 Specification document.*

Japan

Description	Product #
Clamp Tool For MIL IDT Connector	0572525100

10 9 8 7 6 5 4 3 2 1

F

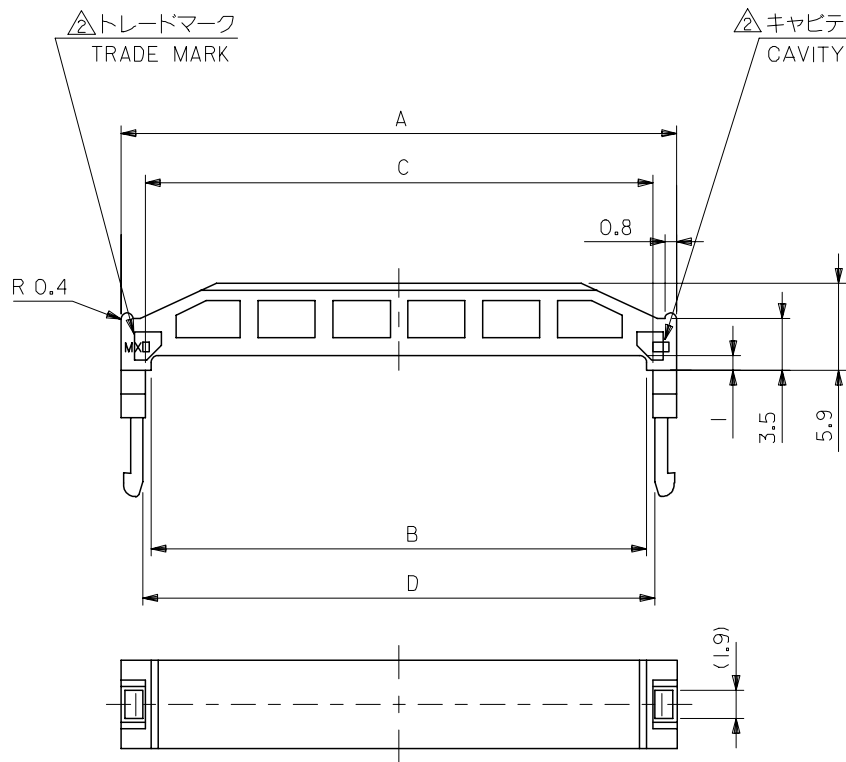
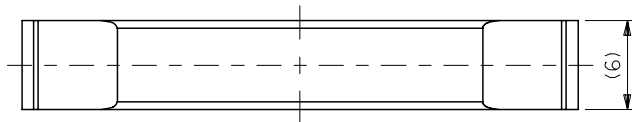
E

D

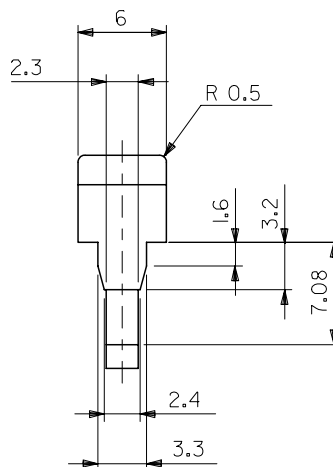
C

B

A



△キャビティ番号、金型番号
CAVITY NO. & MOLD NO.



注記
NOTES

- 1. 適合ハウジングアッセンブリ: 54559-**11, 54559-**41
APPLICABLE UPPER HSG ASS'Y : 54559-**11, 54559-**41
適合アッパーハウジング: 54560-**01
APPLICABLE STRAIN RELIEF : 54560-**01

△トレードマーク: MX プラス 製造工場を示すアルファベットにて構成
但し、* J * は JAPAN を示す。(例 MX J)
キャビティ番号: 数字で表示。
金型番号: アルファベットにて構成。

FORMED BY MX AND ALPHABET WHICH MEAN
THE MANUFACTORY, BUT "J" MEANS JAPAN. (TO TRADE MARK)
(e.g. MXJ)
AND BY NUMBERS (TO CAVITY NO.)
AND BY ALPHABET (TO MOLD NO.)

82.91	82.61	81.81	85.85	54561-6401	64
77.83	77.53	76.73	80.77	54561-6001	60
65.13	64.83	64.03	68.07	54561-5001	50
52.43	52.13	51.33	55.37	54561-4001	40
44.81	44.51	43.71	47.75	54561-3401	34
39.73	39.43	38.63	42.67	54561-3001	30
34.65	34.05	33.55	37.59	54561-2601	26
27.03	26.73	25.93	29.97	54561-2001	20
21.95	21.65	20.85	24.89	54561-1601	16
19.41	19.11	18.31	22.35	54561-1401	14
14.33	14.03	13.23	17.27	54561-1001	10
D	C	B	A	MATERIAL NO.	CKT.

材料 MATERIAL	PBT , UL94V-0 (黒色) (COLOR BLACK)
仕上げ FINISH	—
適用電線範囲 WIRE RANGE	—
被覆外径 INS. RANGE	—

REVISED	2007/04/13
EC NO: J2007-2853	2007/04/13
DRW: MNABE	2007/04/13
CHKD: YMAEDA	2007/04/13
APPR: NUKITA	2007/04/13
J	

GENERAL TOLERANCES (UNLESS SPECIFIED)	
10 UNDER	± 0.2
10 OVER 30 UNDER	± 0.25
30 OVER	± 0.3
ANGULAR	± 3 °
DRAFT WHERE APPLICABLE MUST REMAIN WITHIN DIMENSIONS	

DIMENSION STYLE MM ONLY	
DRAWN BY	DATE
SMATSUZAKI	'99/03/04
CHECKED BY	DATE
SKUNISHI	'03/08/06
APPROVED BY	DATE
TYAMAGUCHI	'03/08/06
MATERIAL NO.	
SEE CHART	
SIZE	A3

SCALE	3:1
DESIGN UNITS	METRIC
MODEL NO.	54561-**01
THIRD ANGLE PROJECTION	
TITLE	
2.54 FLAT CABLE CONN REC STRAIN RELIEF	
MOLEX MOLEX INCORPORATED	
DOCUMENT NO.	SD-54561-002
SHEET NO.	1 OF 1
THIS DRAWING CONTAINS INFORMATION THAT IS PROPRIETARY TO MOLEX INCORPORATED AND SHOULD NOT BE USED WITHOUT WRITTEN PERMISSION	